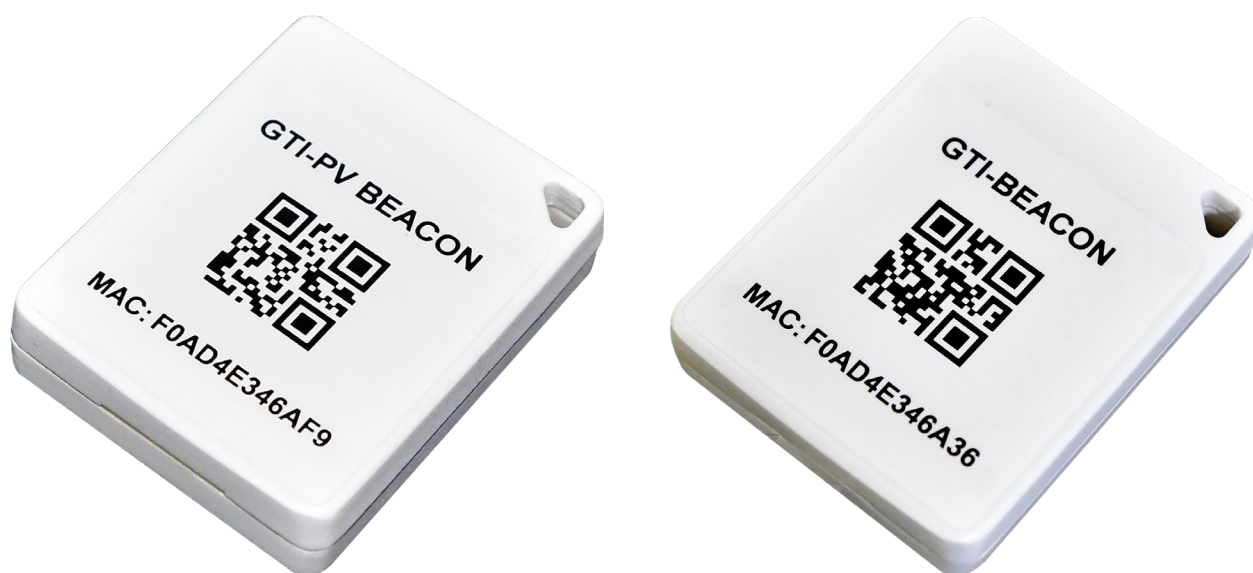


GTI- Beacon/ PV Beacon



Size: L:45.9 mm x W:38.7mm x H:7.8mm

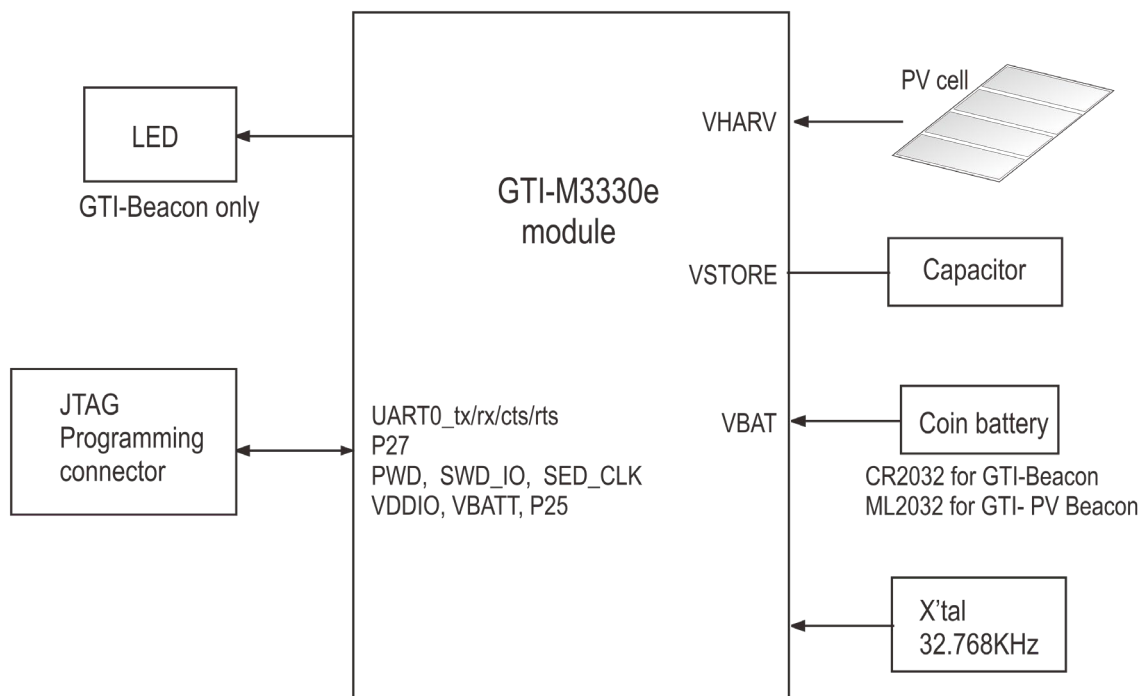
● Overview

The GTI-Beacon/ PV Beacon is designed based on the GTI-M3330e Bluetooth module. It inherits the high efficiency and ultra-low power consumption characteristics of the GTI-M3330e, allowing it to last longer in various applications. With a CR2032 button battery, it can support more than one year of use time and even more than 3 years with the combination of an ML2032 rechargeable battery and a PV cell like the GTI-PV Beacon.

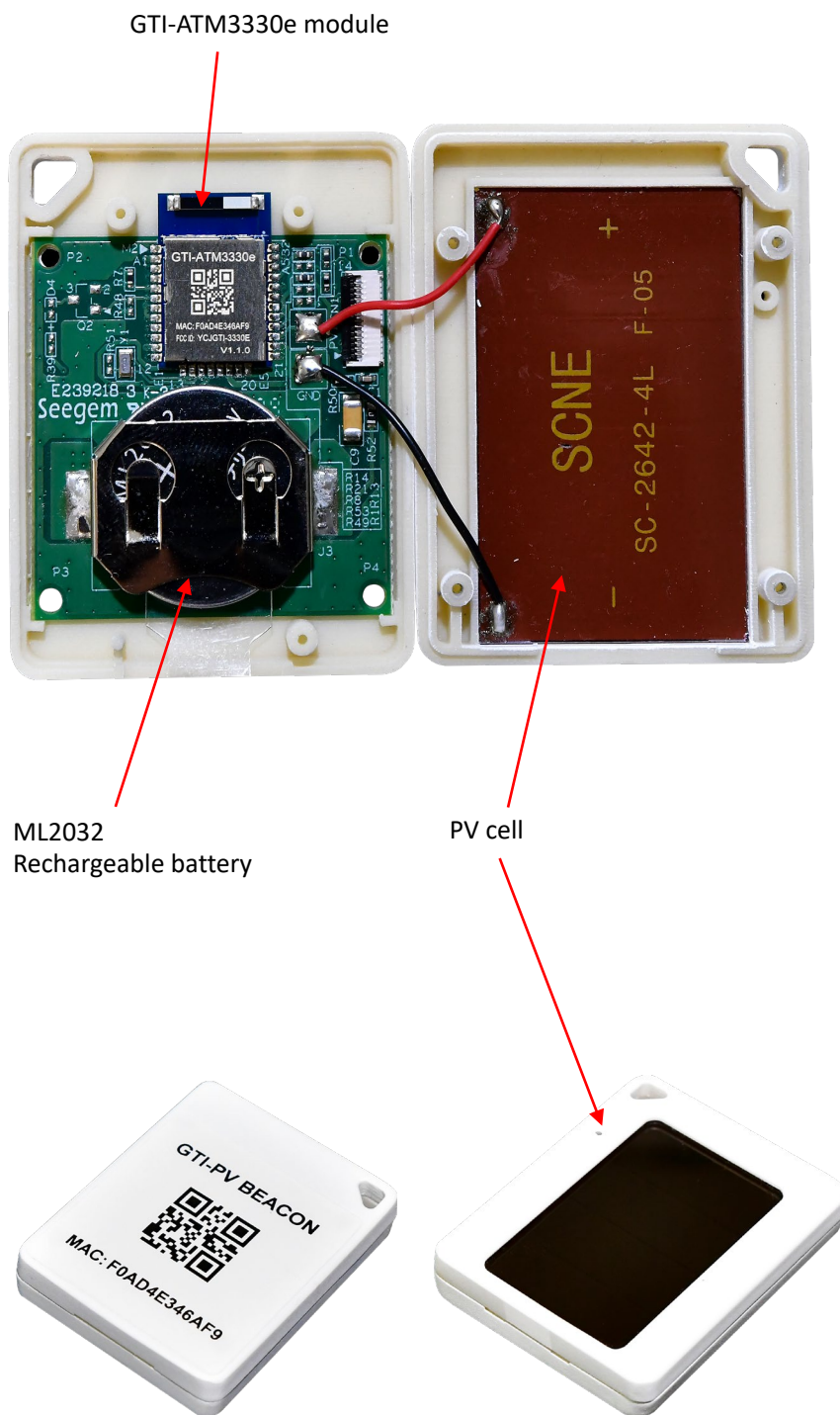
This beacon integrates the GTI-M3330e Bluetooth module, a 32.768KHz crystal oscillator, an LED indicator, an energy storage capacitor, and a 16-pin I/O interface, including the UART serial port and some GPIOs, this interface can also be used as the Flash programmer.

Please refer to another document named [“GTI-ATM3330e module datasheet.pdf”](#) for a more detailed description of this Bluetooth module.

● Block diagram



● GTI PV Beacon



■ Start to use

Pull out then remove the battery insulating piece, the power will be on automatically.



■ Specifications

#	Item	GTI-Beacon	GTI-PV beacon
1	Coin battery	CR2032 coin battery @210mAh	ML2032 rechargeable battery @65mAh
2	Wake-up, sleep and Advertisement	<p>As default, there is a timer to wake up the system in every 3 seconds then send the advertisement message and go sleep again until the next wake-up 3 seconds later</p> <p>Note: the 3 sec wakeup time cannot be changed without the programming tool</p>	<p>As default, there is a timer to wake up the system in every 3 seconds then send the advertisement message and go sleep again until the next wake-up 3 seconds later</p> <p>Note: the 3 sec wakeup time cannot be changed without the programming tool</p>
3	Average working current	7.2uA	7.2uA
4	PV cell charging current	N/A	31uA@1.8V under 200 lux illuminance
5	Battery life under condition above	3 years estimated	3 years at least
6	Transmitting power/ distance	0 dbm/ 10 meters	0 dbm/ 10 meters
7	Water resistant	For indoor use only, not water proof	For indoor use only, not water proof
8	Size	L:45.9 mm x W:38.7mm x H:7.8mm	L:45.9 mm x W:38.7mm x H:7.8mm

■ Applications

- Asset finder
- Warehouse material management
- Positioning and tracking
- Logistic control

■ Contact information

Sales@globalscaletechnologies.com

Globalscale Technologies, Inc.
1200 N. Van Buren Street
Anaheim, CA 92807
U.S.A.

Office: (714) 632 9239 Fax: (714) 632 7550